



Brief introduction:

The series of gate valves include cast steel gate valve and forged steel gate valve. They are designed and manufactured according to ANSI B16.34. With solid wedge and flexible wedge, so it can be used for different pressures. Gate valves have back seal. Back seal of forged-steel gate valve is weld with stainless steel. So it has perfect sealing. Its maintenance is convenient. Widely used in petroleum, chemistry, water treatment industries.

Features:

- "H" type wedge:

Gate valve has "H" type , flexible single wedge. It can compensate the distortion of body. So it has reliable sealing and prevent wedge against difficult operation because of overload. It is suitable to steam and other high temperature medium.

- Full port design:

Gate valve has full port. So it is convenient to clear pipeline. - Changeable seat:

Seat and body is connected with thread. So seat can be dismantled and changed, It is convenient to maintenance.



Office Address
SAIF ZONE | PO Box 8047
Sharjah, UAE.
Skype: Unitech Trading (unitechtrading)
Tel / Fax 00971-6-544-8882
Email <mailto:info@unitechtrading.com>

PRODUCT - GATE VALVE

ANSI Gate Valve (Cast Steel)

- Precise design

Design the body and bonnet according to precise calculation. body and bonnet have high strength , rigid and flow ability

	Item Name of Parts	Material
1	Body	WCB, C F8
2	Seat	STEEL 25+F211 or CF8
3	Wedge	WCB(Precise cast)+F321
4	Stem	1Cr13 , 2Cr13
5	Gasket	Graphite+1Cr18Ni9Ti
6	Bonnet	WCB,CF8
7	Packing	Flexible Graphite
8	Stem Nut	ASTM A349 GR D2
9	Hand Wheel	KTH300-8

Technical Specification:

- Nominal diameter: 2"-24"
- Applicable Temperature: -29°C~425°C (steel) -40°C~-550°C (stainless steel)
- Nominal pressure: 150Lb 300Lb 600Lb 900Lb 1500Lb
- Applicable Medium: water, gas, oil and other causticity medium.

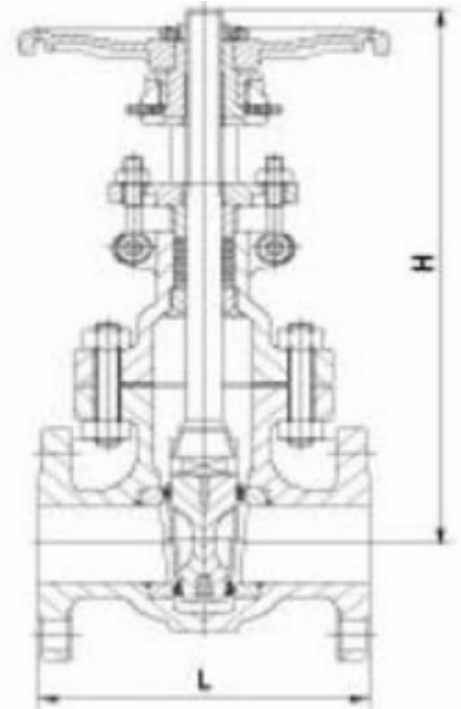
Applications Standard:

- Manufacture standard : ANSI B16.34
- Face to face dimension: ANSI B 16.10
- Flange dimension: ANSI B 16.5.MSS-SP-44
- Test: API 598. API 6D

PRODUCT - GATE VALVE

ANSI Gate Valve (Cast Steel)

Main external and connection dimension



	CLASS 150												
size(in)	2"	2-1/2"	3"	4"	6"	8"	10"	12"	14"	16"	18"	20"	24"
L,RF(mm)	178	191	203	229	267	292	330	356	381	406	432	457	508
L1-BW(mm)	216	241	283	305	403	419	457	502	572	610	660	711	813
L2-RTJ(mm)	191	203	216	241	279	305	343	368	394	419	445	470	521
H(mm)	400	490	510	585	795	1015	1230	1465	1755	2030	2210	2510	2880
K(mm)	200	200	250	300	350	350	400	450	500	500	600	750	750



Office Address
 SAIF ZONE | PO Box 8047
 Sharjah, UAE.
 Skype: Unitech Trading (unitechtrading)
 Tel / Fax 00971-6-544-8882
 Email <mailto:info@unitechtrading.com>

PRODUCT - GATE VALVE

ANSI Gate Valve (Cast Steel)

	CLASS 300												
size(in)	2"	2-1/2"	3"	4"	6"	8"	10"	12"	14"	16"	18"	20"	24"
L,RF(mm)	216	241	283	305	403	419	457	502	762	838	914	991	1143
L1-BW(mm)	216	241	283	305	403	419	457	502	762	838	914	991	1143
L2-RTJ(mm)	232	257	298	321	419	435	473	518	778	854	930	1010	1165
H(mm)	470	525	533	610	845	1050	1295	1600	1830	2035	2195	2470	2900
K(mm)	200	200	250	300	350	350	400	450	500	500	600	750	750

	CLASS 600												
size(in)	2"	2-1/2"	3"	4"	6"	8"	10"	12"	14"	16"	18"	20"	24"
L,RF(mm)	292	330	356	432	559	660	787	838	889	991	1092	1194	1397
L1-BW(mm)	292	330	356	432	559	660	787	838	889	991	1092	1194	1397
L2-RTJ(mm)	295	333	359	435	562	664	791	841	892	994	1095	1200	1407
H(mm)	495	550	615	735	1005	1245	1480	1730	1915	2050	2260	2620	2900
K(mm)	200	250	300	350	450	500	600	750	850	850	960	960	1000

	CLASS 900												
size(in)	2"	2-1/2"	3"	4"	6"	8"	10"	12"	14"	16"	18"	20"	24"
L,RF(mm)	368	419	381	457	610	737	838	965	1029	1130	1219	1321	1549
L1-BW(mm)	368	419	381	457	610	737	838	965	1029	1130	1219	1321	1549
L2-RTJ(mm)	371	422	384	460	613	740	841	968	1038	1140	1232	1334	1568
H(mm)	590	700	740	870	1120	1390	1592	1765	2025	2175	2510	2750	3240
K(mm)	250	300	350	450	500	600	750	850	850	960	960	1000	1000



Office Address
 SAIF ZONE | PO Box 8047
 Sharjah, UAE.
 Skype: Unitech Trading (unitechtrading)
 Tel / Fax 00971-6-544-8882
 Email <mailto:info@unitechtrading.com>

PRODUCT - GATE VALVE

ANSI Gate Valve (Cast Steel)

	CLASS 1500												
size(in)	2"	2-1/2"	3"	4"	6"	8"	10"	12"	14"	16"	18"	20"	24"
L,RF(mm)	368	419	470	546	705	832	991	1130	1257	1384	1537	1664	1943
L1-BW(mm)	368	419	470	546	705	832	991	1130	1257	1384	1537	1664	1943
L2-RTJ(mm)	371	422	473	549	711	841	1000	1146	1276	1407	1559	1686	1972
H(mm)	615	705	750	927	1190	1525	1855	2185	2215	2380	2580	2195	3400
K(mm)	250	350	350	450	600	750	850	850	960	960	1000	1000	1250